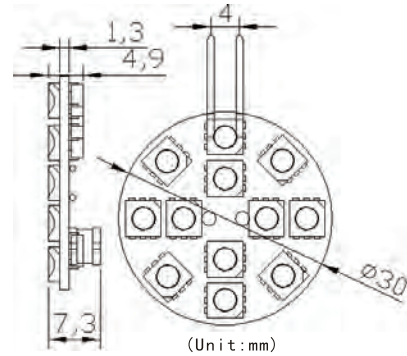
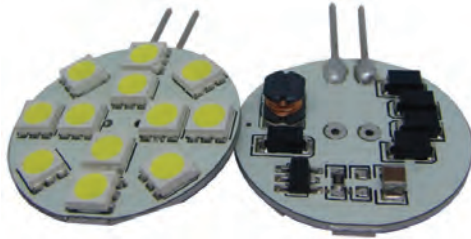


G4



G4 LED bulb 5050SMD*12PCS DC8-30V White

A Electronics And Optical Characteristics: Ta=25°C

Emitting Color	Forward Voltage Unit:v	Totality Luminous flux Unit:LM	Single LED Intensity Unit:mcd	Dominant Wavelength Unit:nm	Viewing Angle Unit:deg	Color Temperature Unit:K
CW	8-30	120	5400-7500	---	120	3500-4500
WW	8-30	120	5400-7500	---	120	2700-3500
Test Condition	Test Voltage: 12V		Current: 120mA±10%		Power: 1.44 W	
IR max: 10 μA/per chip		VR= 5V/per chip				

B Absolute Maximum Ratings AT Ta=25°C

PARAMETER	MAX	UNIT
Continuous Forward Current	60	mA/per chip
Peak Forward Current (1/10 Duty Cycle 0.1ms Pulse Width)	100	mA/per chip
Reverse Voltage	5	V/per chip
Operating Temperature Range	-30°C to +75°C	
Storage Temperature/Humidity Range	-40°C to +100°C (/40%to70%)	
Lead Solder Temperature 1.6mmBelow Package 260°C For 5 seconds		

Usage: For general purpose lighting in fixtures replacing high power consumption bulbs

Advantage: High light output at low power consumption, typically 8-10 times lower than conventional incandescent or halogen lighting. Low heat, long lasting, with consistent color rendering.